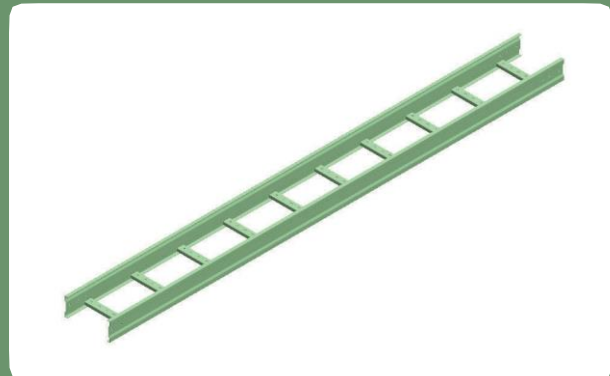
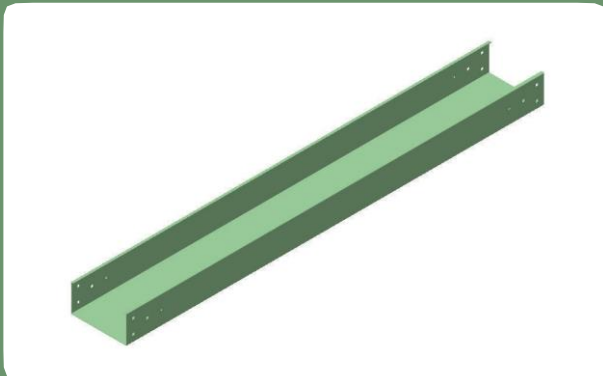


Cable Tray



Cable Ladder



Cable Trunking

 **HAINAM**

A Reliable Partner
IN ELECTRICAL SWITCHBOARD
MANUFACTURING BUSINESS

We make the difference!

Hai Nam Switchboard Manufacture is set to revolutionise the sector with the exciting launch of brand new and entirely redesigned ranges:

Cable Trays

Constructed from single sheet of perforated metal. They are convenient for cables which require both a degree of protection from external damage and some ventilation.

Cable Ladders

Straight sections of ladder type cable trays consist of two longitudinal side rails, connected by individual transverse members, or rungs, which are welded to the side rails or bolted in case of GI trays. This type of cable tray provides maximum ventilation to heat producing cable such as power cables.

Cable Trunking

Straight sections of solid bottom cable trays constructed from single sheet of metal, providing excellent protection from external damage. They are used primarily for intrumental control, communication and other non-heat producing cables.

Contents

3	Materials and Finishes
3	Catalog Numbering System
4 - 7	Cable Trays
8 - 11	Cable Ladders
12 - 15	Cable Trunkings
16 - 19	Cable Tray Covers
20 - 22	Accessories

Materials and Finishes

Hai Nam Switchboard Manufacture produces three types of Cable Supports: Cable Tray, Cable Ladder, Cable Trunking. All of these are available with a full range of fittings and accessories.

FITTINGS

Fittings are sections of cable trays which are joined to other cable trays sections for the purpose of changing the direction, elevation or width of the cable run. All fittings are available in sizes and types corresponding to the straight cable tray sections.

Elbows - Horizontal and vertical elbows enable directional and elevational changes, respectively. Horizontal Tee - These join cable tray sections in three directions at 90° angles.

Horizontal Cross - Same as "Tee" except in four directions at 90° angles.

Reducers - These join cable trays of different widths in the same plane.

COVERS

Covers act as an additional safeguard, providing shelter from sunlight dirt accumulation and accidental contact. They also isolate cables from fires and radio frequency interference. Available in solid top or louvered top.

CONSTRUCTION ACCESSORIES

Hai Nam all construction accessories to enable on site installation of cable tray systems. These include splice plate connectors, channels, clamps brackets and hangers.

SPECIFIC REQUIREMENTS

Other types of cable trays and fittings can be supplied to meet specific requirements.

All Hai Nam cable trays are fabricated from Prime quality Sheet. To provide adequate protection against corrosion, three types of protection are offered

- Electro powder coating
- Pre-galvanized
- **Hot dip galvanised**
- Tole ZAM

DIMENSIONS

Hai Nam cable trays, cable ladder, cable trunking are manufactured in the following standard dimensions

- **Length** 2440mm, 2500mm & 3000mm
- **Height** 50mm, 75mm, 85mm, 100mm, 200mm
- **Width** 100mm, 150mm, 300mm, 450mm, 600mm, 750mm, 900mm...

Sheet Metal Thickness

- 1.5mm for medium loads
- 2.0mm for heavy loads
- Upto 4.0mm for extra heavy loads

Elbow and Cross Radius

- R=100(H=50), R= 200(H=100,150), R=300(H>=150) mm, 600mm & 900mm also available

LOADING CAPABILITY & SUPPORT SPAN

All Hai Nam cable trays are manufactured in accordance with the requirements of International Standard NEMA VE1-2002 TCVN 197 - 2002.

General Tolerances: ISO 2768 mL

Catalog Numbering System

For ease of ordering, each individual product is identified by a "Catalog Number", comprising letters and numbers.

FORMAT	X	X	99	X	X	X
CODE	1	2	3	4	5	6

CODE 1 Type of Cable Tray & Cover

T	Cable Tray
L1	Standard Cable Ladder
L2	Comercial Cable Ladder
K	Cable Trunking
CT	Cable Tray Cover

CODE2 Type of Cable Tray & Cover

S	Straight Section
T	Horizontal Tee
VT	Vertical Tee
C	Horizontal Cross
E	Horizontal Elbow
R	Reducer
RR	Right Hand Reducer
LR	Left Hand Reducer
IR	Inside Vertical Risers
OR	Outside Vertical Risers

CODE 3 Width in Centimeters

[Give actual figure]

CODE 4 Nominal Height

A	50mm
B	85mm
C	100mm
D	150mm
10	10mm (for Cover)

CODE 5 Sheet Metal Thickness

M	1.5mm
H	2.0mm

CODE 6 Type of Finish

E	Electro powder coating
P	Pre-galvanised
H	Hot dip galvanised
T	Tole Zam

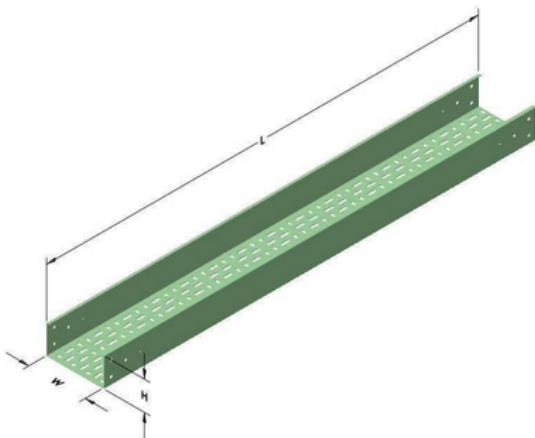
Cable Tray

Constructed from single sheet of perforated metal. They are convenient for cables which require both a degree of protection from external damage and some ventilation.

STRAIGHT SECTION

Example of catalog numbering system

T	S	15	C	M	H
Cable Tray	Straight Section	150mm width	100mm height	1.5mm	Hot dip galvanized



STANDARD DIMENSIONS

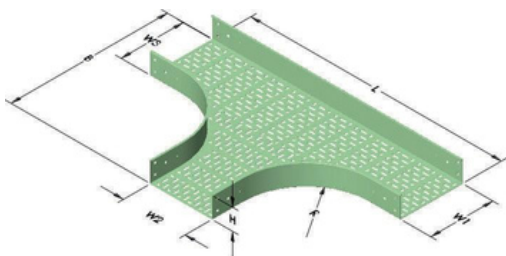
Length (L)	2440mm, 2500mm & 3000mm
Height (H)	50mm, 75mm, 85mm, 100mm, 150mm, 200mm
Width (W)	50mm to 900mm
Sheet Metal Thickness	1.5mm for medium loads (M) 2.0mm for heavy loads (H)
Material	Prime quality GI & MS sheets
Finish (after fabrication)	Electro powder coating (E) Pre-galvanized (P) Hot dip galvanized (H) Tole ZAM (T)

Designs other than those listed above can be manufactured to meet special requirements.

HORIZONTAL TEE

Example of catalog numbering system

T	T	15	C	M	H
Cable Tray	Horizontal Tee	150mm width	100mm height	1.5mm	Hot dip galvanized



STANDARD DIMENSIONS

Example Radius R=300 mm

Width	W1 (mm)	100	150	200	300	450	600	750
	W2 (mm)	100	150	200	300	450	600	750
	W3 (mm)	100	150	200	300	450	600	750
Length	L (mm)	900	950	1000	1100	1250	1400	1550
Breadth	B (mm)	500	550	600	700	850	1000	1150
Height	H (mm)	100	100	100	100	100	100	100

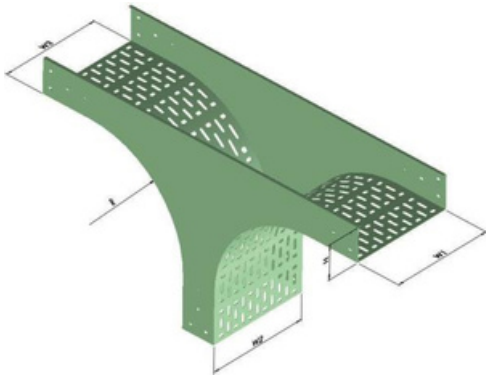
For other dimensions please contact us.

(R = 100mm, 200mm, 600mm, 900mm also available)

VERTICAL TEE

Example of catalog numbering system

T	VT	15	C	M	H
Cable Tray	Vertical Tee	150mm width	100mm height	1.5mm	Hot dip galvanized



STANDARD DIMENSIONS

Example Radius R=300 mm

Width	W1 (mm)	100	150	200	300	450	600	750
	W2 (mm)	100	150	200	300	450	600	750
	W3 (mm)	100	150	200	300	450	600	750
Length	L (mm)	900	950	1000	1100	1250	1400	1550
Breadth	B (mm)	500	550	600	700	850	1000	1150
Height	H (mm)	100	100	100	100	100	100	100

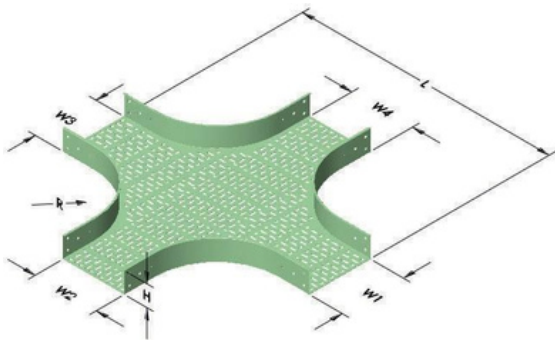
For other dimensions please contact us.

(R = 100mm, 200mm, 600mm, 900mm also available)

HORIZONTAL CROSS

Example of catalog numbering system

T	C	15	C	M	H
Cable Tray	Horizontal Cross	150mm width	100mm height	1.5mm	Hot dip galvanized



STANDARD DIMENSIONS

Example Radius R=300 mm

Width	W1 (mm)	100	150	200	300	450	600	750
	W2 (mm)	100	150	200	300	450	600	750
	W3 (mm)	100	150	200	300	450	600	750
	W4 (mm)	100	150	200	300	450	600	750
Height	H (mm)	100	100	100	100	100	100	100

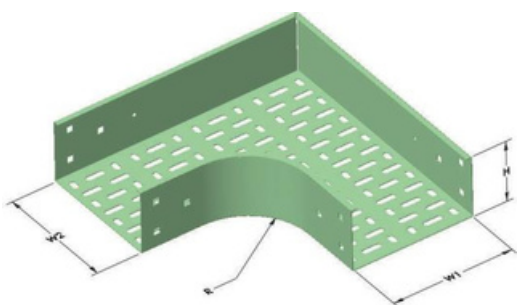
For other dimensions please contact us.

(R = 100mm, 200mm, 600mm, 900mm also available)

HORIZONTAL ELBOW

Example of catalog numbering system

T	E	15	C	M	H
Cable Tray	Horizontal Elbow	150mm width	100mm height	1.5mm	Hot dip galvanized



STANDARD DIMENSIONS

Example Radius R=300 mm Bend Angle 90° (30°, 45° & 60° also available)

Width	W1 (mm)	100	150	200	300	450	600	750
	W2 (mm)	100	150	200	300	450	600	750
Height	H (mm)	100	100	100	100	100	100	100

For other dimensions please contact us.

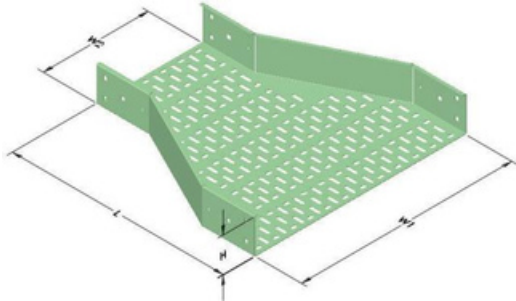
(R = 100mm, 200mm, 600mm, 900mm also available)

Cable Tray

REDUCER

Example of catalog numbering system

T	R	15	10	C	M	H
Cable Tray	Reducer	150mm starting width	100mm ending width	100mm height	1.5mm	Hot dip galvanized



STANDARD DIMENSIONS

Example Radius R=300 mm

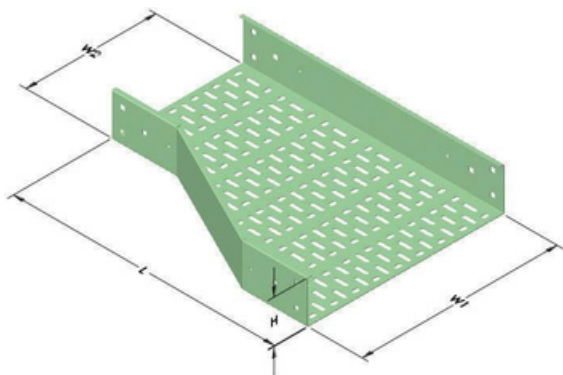
Width	W1 (mm)	200	300
	W2 (mm)	100	200
Length	L (mm)	500	500
Height	H (mm)	100	100

For other dimensions please contact us.
(R = 100mm, 200mm, 600mm, 900mm also available)

RIGHT HAND REDUCER

Example of catalog numbering system

T	RR	15	10	C	M	H
Cable Tray	Right Hand Reducer	150mm starting width	100mm ending width	100mm height	1.5mm	Hot dip galvanized



STANDARD DIMENSIONS

Example Radius R=300 mm

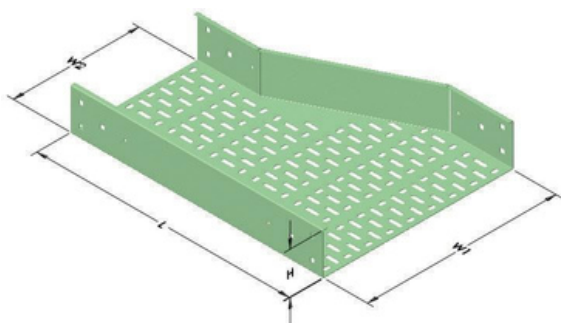
Width	W1 (mm)	200	300
	W2 (mm)	100	200
Length	L (mm)	500	500
Height	H (mm)	100	100

For other dimensions please contact us.
(R = 100mm, 200mm, 600mm, 900mm also available)

LEFT HAND REDUCER

Example of catalog numbering system

T	LR	15	10	C	M	H
Cable Tray	Left Hand Reducer	150mm starting width	100mm ending width	100mm height	1.5mm	Hot dip galvanized



STANDARD DIMENSIONS

Example Radius R=300 mm

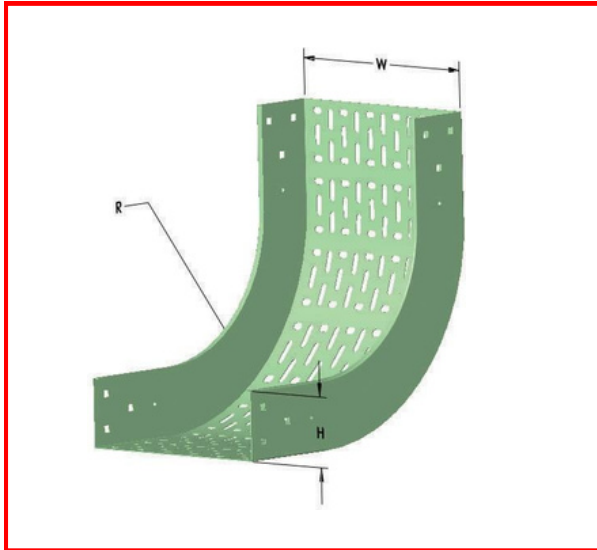
Width	W1 (mm)	200	300
	W2 (mm)	100	200
Length	L (mm)	500	500
Height	H (mm)	100	100

For other dimensions please contact us.
(R = 100mm, 200mm, 600mm, 900mm also available)

INSIDE VERTICAL RISERS

Example of catalog numbering system

T	IR	10	C	M	H
Cable Tray	Inside Vertical Riser	100mm width	100mm height	1.5mm	Hot dip galvanized



STANDARD DIMENSIONS Bend

Angle 90°

For other dimensions please contact us.

With (W)	W (mm)	100	200
Height (H)	H (mm)	100	100

Finish (after fabrication) | Hot dip galvanized (H)

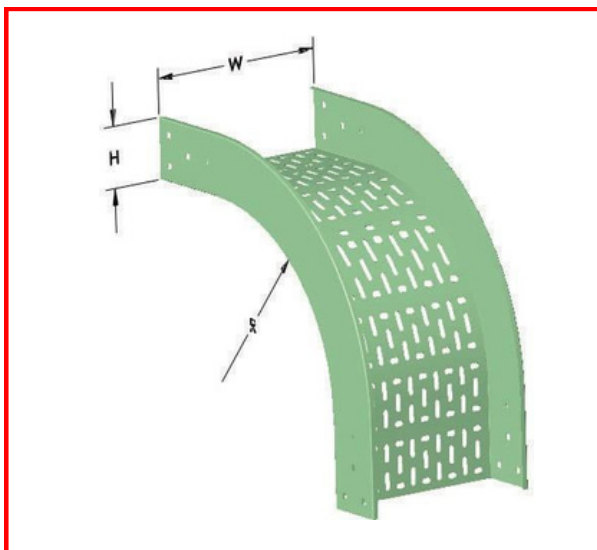
For other dimensions please contact us.

(R = 100mm, 200mm, 600mm, 900mm also available)

OUTSIDE VERTICAL RISERS

Example of catalog numbering system

T	OR	10	C	M	H
Cable Tray	Outside Vertical Riser	100mm width	100mm height	1.5mm	Hot dip galvanized



STANDARD DIMENSIONS Bend

Angle 90°

For other dimensions please contact us.

With (W)	W (mm)	100	200
Height (H)	H (mm)	100	100

Finish (after fabrication) | Hot dip galvanized (H)

For other dimensions please contact us.

(R = 100mm, 200mm, 600mm, 900mm also available)

Cable Ladder

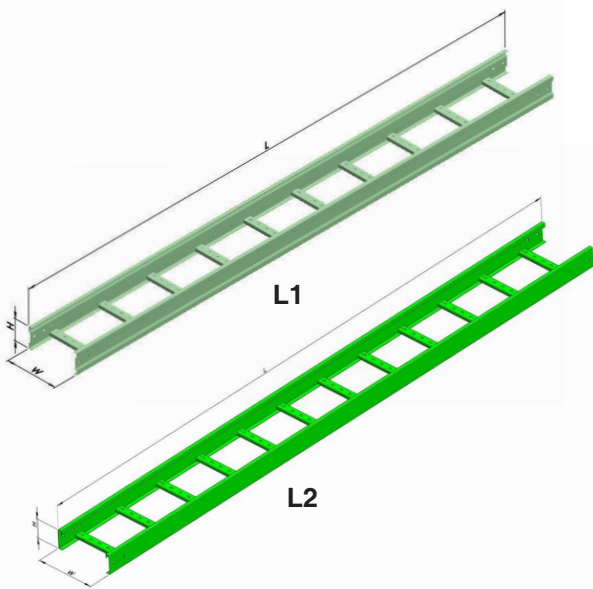
Straight sections of ladder type cable trays consist of two longitudinal side rails, connected by individual transverse members, or rungs, which are welded to the side rails or bolted in case of GI trays.

This type of cable tray provides maximum ventilation to heat producing cable such as power cables.

STRAIGHT SECTION

Example of catalog numbering system

L1 / L2	S	45	C	H	H
Standard Cable Ladder Comercial Cable Ladder	Straight Section	450mm width	100mm depth	2.0mm	Hot dip galvanized



STANDARD DIMENSIONS

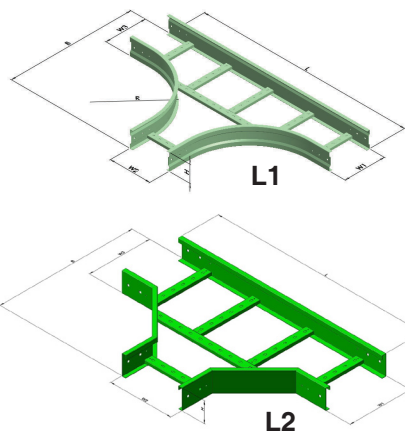
Length (L)	2440mm, 2500mm & 3000mm
Height (H)	50mm, 75mm, 85mm, 100mm, 150mm, 200mm
Width (W)	100mm to 900mm
Sheet Metal Thickness	1.2mm for light loads (L) 1.5mm for medium loads (M) 2.0mm for heavy loads (H)
Material	Prime quality GI & MS sheets
Finish (after fabrication)	Electro powder coating (E) Pre-galvanized (P) Hot dip galvanized (H) Tole ZAM (T)

Designs other than those listed above can be manufactured to meet special requirements.

HORIZONTAL TEE

Example of catalog numbering system

L1 / L2	T	45	C	H	H
Standard Cable Ladder Comercial Cable Ladder	Horizontal Tee	450mm width	100mm depth	2.0mm	Hot dip galvanized



STANDARD DIMENSIONS

Example Radius R=300 mm

Width	W (mm)	100	150	300	450	600	750	900
Length	L (mm)	900	950	1100	1250	1400	1550	1700
Breadth	B (mm)	500	550	700	850	1000	1150	1300

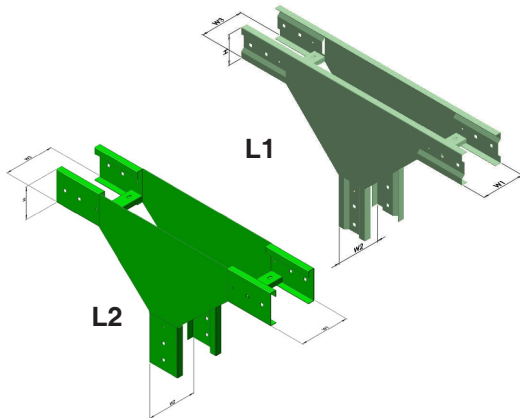
For other dimensions please contact us.

(R = 100mm, 200mm, 600mm, 900mm also available)

VERTICAL TEE

Example of catalog numbering system

L1 / L2	VT	45	C	H	H
Standard Cable Ladder Comercial Cable Ladder	Vertical Tee	450mm width	100mm depth	2.0mm	Hot dip galvanized



STANDARD DIMENSIONS

Example Radius R=300 mm

Width	W (mm)	100	150	300	450	600	750	900
Length	L (mm)	900	950	1100	1250	1400	1550	1700
Breadth	B (mm)	500	550	700	850	1000	1150	1300

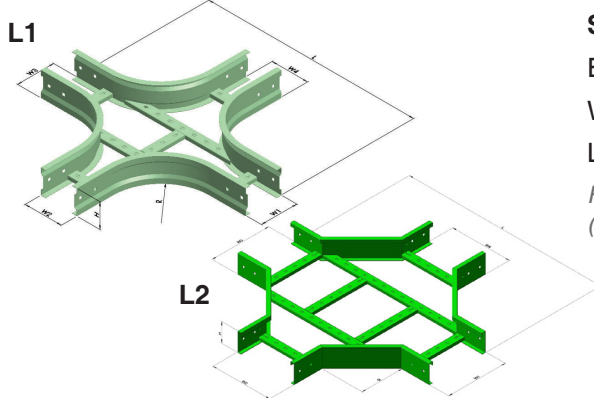
For other dimensions please contact us.

(R = 100mm, 200mm, 600mm, 900mm also available)

HORIZONTAL CROSS

Example of catalog numbering system

L1 / L2	C	45	C	H	H
Standard Cable Ladder Comercial Cable Ladder	Horizontal Cross	450mm width	100mm depth	2.0mm	Hot dip galvanized



STANDARD DIMENSIONS

Example Radius R=300 mm

Width	W (mm)	100	150	300	450	600	750
Length	L (mm)	900	950	1100	1250	1400	1550

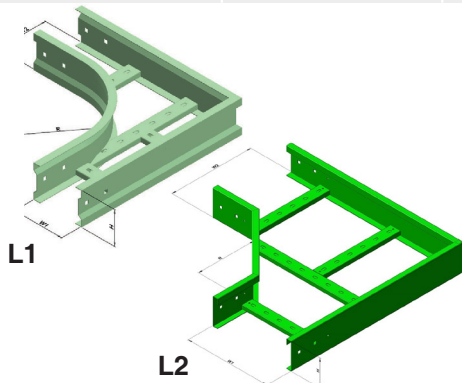
For other dimensions please contact us.

(R = 100mm, 200mm, 600mm, 900mm also available)

HORIZONTAL ELBOW

Example of catalog numbering system

L1 / L2	E	45	C	H	H
Standard Cable Ladder Comercial Cable Ladder	Horizontal Elbow	450mm width	100mm depth	2.0mm	Hot dip galvanized



STANDARD DIMENSIONS

Example Radius R=300 mm

Bend Angle 90° (30°, 45° & 60° also available)

Width	W (mm)	100	150	300	450	600	750	900
Length	L (mm)	500	550	700	850	1000	1150	1300

For other dimensions please contact us.

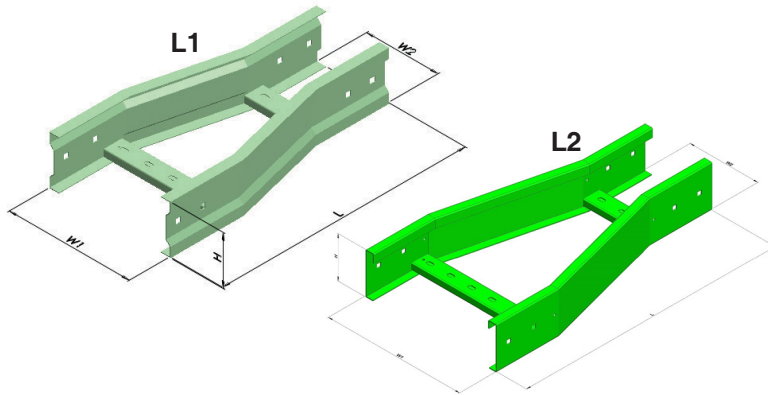
(R = 100mm, 200mm, 600mm, 900mm also available)

Cable Ladder

REDUCER

Example of catalog numbering system

L1 / L2	R	90	45	C	H	H
Standard Cable Ladder Comercial Cable Ladder	Reducer	900mm starting width	450mm ending width	100mm depth	2.0mm	Hot dip galvanized



STANDARD DIMENSIONS

Example Radius R=300 mm

Width	W1 (mm)	200	300
	W2 (mm)	100	200
Length	L (mm)	500	500

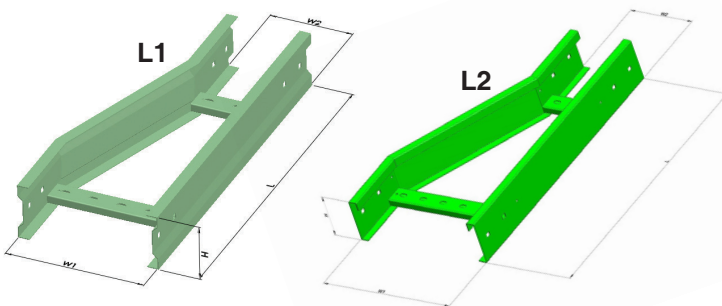
For other dimensions please contact us.

(R = 100mm, 200mm, 600mm, 900mm also available)

RIGHT HAND REDUCER

Example of catalog numbering system

L1 / L2	RR	90	45	C	H	H
Standard Cable Ladder Comercial Cable Ladder	Right Hand Reducer	900mm starting width	450mm ending width	100mm depth	2.0mm	Hot dip galvanized



STANDARD DIMENSIONS

Example Radius R=300 mm

Width	W1 (mm)	200	300
	W2 (mm)	100	200
Length	L (mm)	500	500

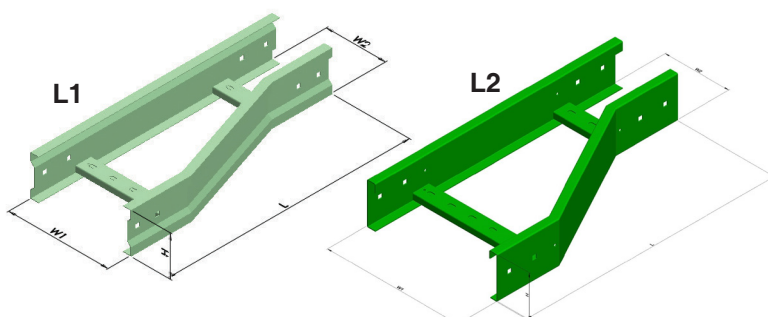
For other dimensions please contact us.

(R = 100mm, 200mm, 600mm, 900mm also available)

LEFT HAND REDUCER

Example of catalog numbering system

L1 / L2	LR	90	45	C	H	H
Standard Cable Ladder Comercial Cable Ladder	Left Hand Reducer	900mm starting width	450mm ending width	100mm depth	2.0mm	Hot dip galvanized



STANDARD DIMENSIONS

Example Radius R=300 mm

Width	W1 (mm)	200	300
	W2 (mm)	100	200
Length	L (mm)	500	500

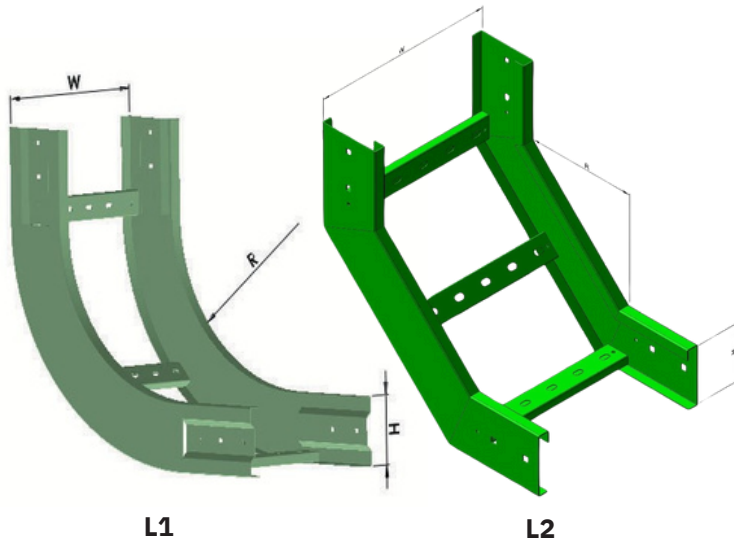
For other dimensions please contact us.

(R = 100mm, 200mm, 600mm, 900mm also available)

INSIDE VERTICAL RISERS

Example of catalog numbering system

L1 / L2	IR	45	C	H	H
Standard Cable Ladder Comercial Cable Ladder	Inside Vertical Riser	450mm width	100mm depth	2.0mm	Hot dip galvanized



STANDARD DIMENSIONS Bend

Angle 90°

For other dimensions please contact us.

With (W)	W1 (mm)	450
	W2 (mm)	450
Height (H)	H (mm)	100

Finish (after fabrication) | Hot dip galvanized (H)

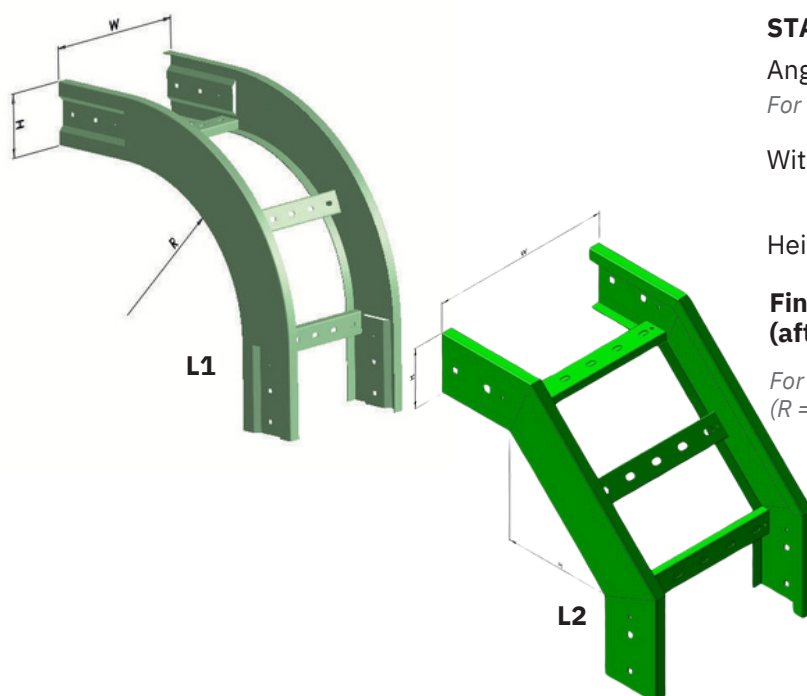
For other dimensions please contact us.

(R = 100mm, 200mm, 600mm, 900mm also available)

OUTSIDE VERTICAL RISERS

Example of catalog numbering system

L1 / L2	OR	45	C	H	H
Standard Cable Ladder Comercial Cable Ladder	Outside Vertical Riser	450mm width	100mm depth	2.0mm	Hot dip galvanized



STANDARD DIMENSIONS Bend

Angle 90°

For other dimensions please contact us.

With (W)	W1 (mm)	450
	W2 (mm)	450
Height (H)	H (mm)	100

Finish (after fabrication) | Hot dip galvanized (H)

For other dimensions please contact us.

(R = 100mm, 200mm, 600mm, 900mm also available)

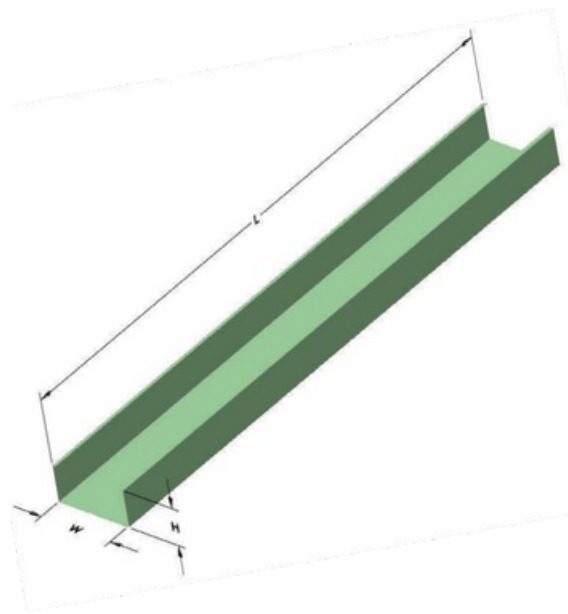
Cable Trunking

Straight sections of solid bottom cable trays constructed from single sheet of metal, providing excellent protection from external damage. They are used primarily for intrumental control, communication and other non-heat producing cables.

STRAIGHT SECTION

Example of catalog numbering system

K	S	15	B	M	H
Cable Trunking	Straight Section	150mm width	85mm depth	1.5mm	Hot dip galvanized



STANDARD DIMENSIONS

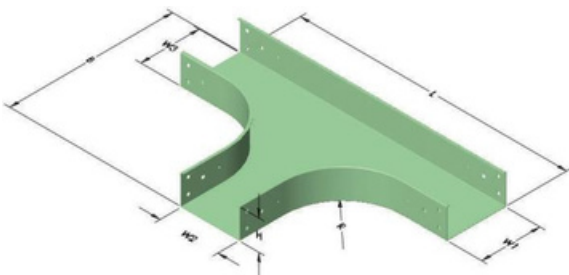
Length (L)	2440mm, 2500mm & 3000mm
Height (H)	50mm to 200mm
Width (W)	50mm to 900mm
Sheet Metal Thickness	1.5mm for medium loads (M) 2.0mm for heavy loads (H)
Material	Prime quality GI & MS sheets
Finish (after fabrication)	Electro powder coating (E) Pre-galvanized (P) Hot dip galvanized (H) Tole ZAM (T)

Designs other than those listed above can be manufactured to meet special requirements.

HORIZONTAL TEE

Example of catalog numbering system

K	T	15	B	M	H
Cable Trunking	Horizontal Tee	150mm width	85mm depth	1.5mm	Hot dip galvanized



STANDARD DIMENSIONS

Example Radius R=300 mm

Width	W (mm)	100	150	200	300	450	600	750	900
Length	L (mm)	900	950	1000	1100	1250	1400	1550	1700
Breadth	B (mm)	500	550	600	700	850	1000	1150	1300

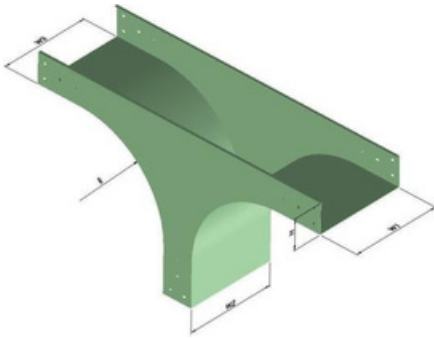
For other dimensions please contact us.

(R = 100mm, 200mm, 600mm, 900mm also available)

VERTICAL TEE

Example of catalog numbering system

K	VT	15	B	M	H
Cable Trunking	Vertical Tee	150mm width	85mm depth	1.5mm	Hot dip galvanized



STANDARD DIMENSIONS

Example Radius R=300 mm

Width	W1 (mm)	100	150	300	450	600	750	900
	W2 (mm)	100	150	300	450	600	750	900
	W3 (mm)	100	150	300	450	600	750	900
Length	L (mm)	900	950	1100	1250	1400	1550	1700
Breadth	B (mm)	500	550	700	850	1000	1150	1300
Height	H (mm)	100	100	100	100	100	100	100

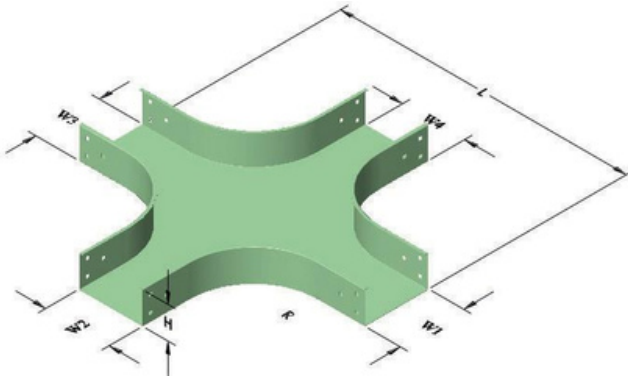
For other dimensions please contact us.

(R = 100mm, 200mm, 600mm, 900mm also available)

HORIZONTAL CROSS

Example of catalog numbering system

K	C	15	B	M	H
Cable Trunking	Horizontal Cross	150mm width	85mm depth	1.5mm	Hot dip galvanized



STANDARD DIMENSIONS

Example Radius R=300 mm

Width	W1 (mm)	100	150	300	450	600	750	900
	W2 (mm)	100	150	300	450	600	750	900
	W3 (mm)	100	150	300	450	600	750	900
	W4 (mm)	100	150	300	450	600	750	900
Length	L (mm)	900	950	1100	1250	1400	1550	1700
Height	H (mm)	100	100	100	100	100	100	100

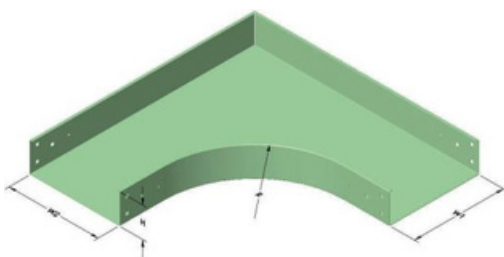
For other dimensions please contact us.

(R = 100mm, 200mm, 600mm, 900mm also available)

HORIZONTAL ELBOW

Example of catalog numbering system

K	E	15	B	M	H
Cable Trunking	Horizontal Elbow	150mm width	85mm depth	1.5mm	Hot dip galvanized



STANDARD DIMENSIONS Example Radius

R=300 mm Bend Angle 90° (30°, 45° & 60° also available)

Width	W1 (mm)	100	150	200	300	450	600	750	900
	W2 (mm)	100	150	200	300	450	600	750	900
Length	L (mm)	500	550	600	700	850	1000	1150	1300
Height	H (mm)	100	100	100	100	100	100	100	100

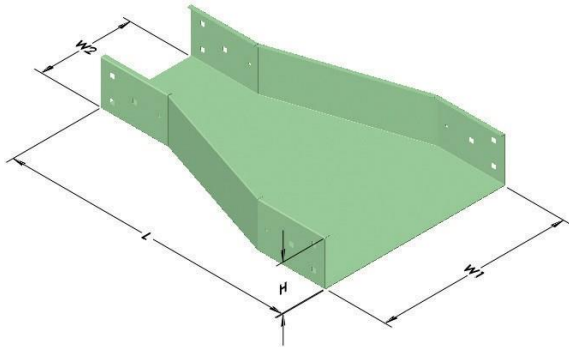
For other dimensions please contact us.

(R = 100mm, 200mm, 600mm, 900mm also available)

Cable Trunking

Example of catalog numbering system

Cable Trunking	Reducer	150mm starting width	100mm ending width	85mm depth	1.5mm	Hot dip galvanized
----------------	---------	----------------------	--------------------	------------	-------	--------------------



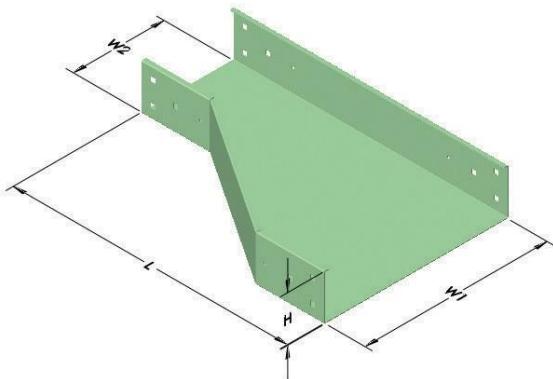
Example Radius R=300 mm

Width	W1 (mm)	200	300
	W2 (mm)	100	200
Length	L (mm)	500	500

For other dimensions please contact us.
(R = 100mm, 200mm, 600mm, 900mm also available)

Example of catalog numbering system

Cable Trunking	Right Hand Reducer	150mm starting width	100mm ending width	85mm depth	1.5mm	Hot dip galvanized
----------------	--------------------	----------------------	--------------------	------------	-------	--------------------



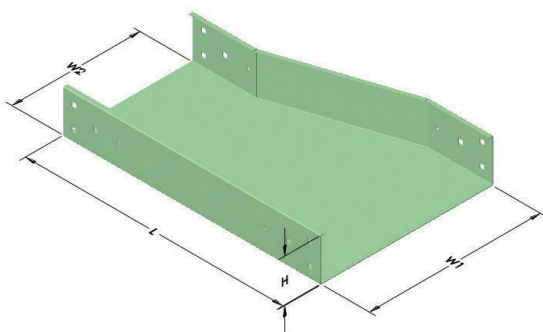
Example Radius R=300 mm

Width	W1 (mm)	200	300
	W2 (mm)	100	200
Length	L (mm)	500	500

For other dimensions please contact us.
(R = 100mm, 200mm, 600mm, 900mm also available)

Example of catalog numbering system

Cable Trunking	Left Hand Reducer	150mm starting width	100mm ending width	85mm depth	1.5mm	Hot dip galvanized
----------------	-------------------	----------------------	--------------------	------------	-------	--------------------



Example Radius R=300 mm

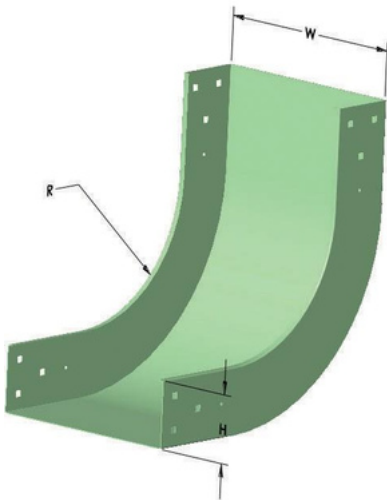
Width	W1 (mm)	200	300
	W2 (mm)	100	200
Length	L (mm)	500	500

For other dimensions please contact us.
(R = 100mm, 200mm, 600mm, 900mm also available)

INSIDE VERTICAL RISERS

Example of catalog numbering system

K	IR	10	B	M	H
Cable Trunking	Inside Vertical Risers	100mm starting width	100mm depth	1.5mm	Hot dip galvanized



STANDARD DIMENSIONS Bend

Angle 90°

For other dimensions please contact us.

With (W)	W1 (mm)	100	200
	W2 (mm)	100	200
Height (H)	H (mm)	100	100

Finish (after fabrication) | Hot dip galvanized (H)

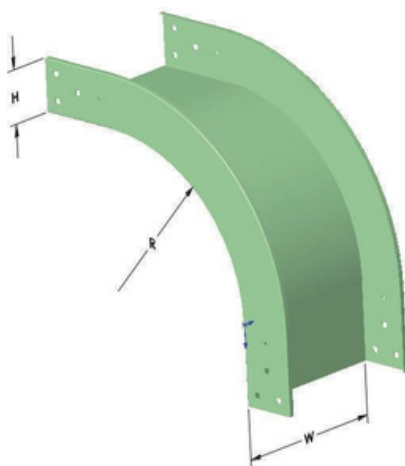
For other dimensions please contact us.

(R = 100mm, 200mm, 600mm, 900mm also available)

OUTSIDE VERTICAL RISERS

Example of catalog numbering system

K	OR	10	B	M	H
Cable Trunking	Outside Vertical Risers	100mm starting width	85mm depth	1.5mm	Hot dip galvanized



STANDARD DIMENSIONS Bend

Angle 90°

For other dimensions please contact us.

With (W)	W1 (mm)	100	200
	W2 (mm)	100	200
Height (H)	H (mm)	100	100

Finish (after fabrication) | Hot dip galvanized (H)

For other dimensions please contact us.

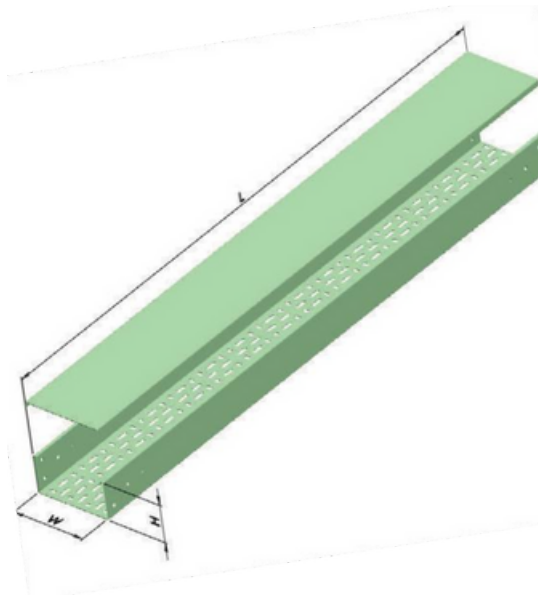
(R = 100mm, 200mm, 600mm, 900mm also available)

Cable Tray/ Trunking Covers

STRAIGHT SECTION

Example of catalog numbering system

CT	S	15	10	M	H
Cable Tray Cover	Straight Section Cover	150mm width	10mm height	1.5mm	Hot dip galvanized



STANDARD DIMENSIONS

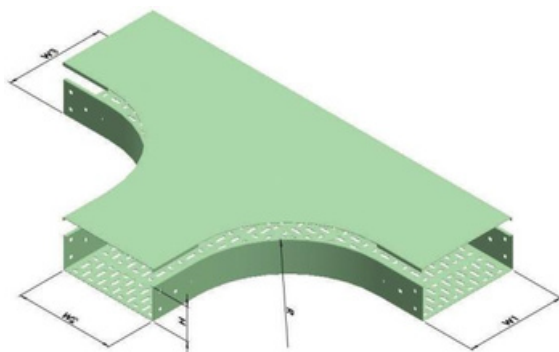
Length (L)	2440mm, 2500mm & 3000mm
Height (H)	10mm
Width (W)	50mm to 900 mm
Sheet Metal Thickness	1.5mm for medium loads (M) 2.0mm for heavy loads (H)
Material	Prime quality GI & MS sheets
Finish (after fabrication)	Electro powder coating (E) Pre-galvanized (P) Hot dip galvanized (H) Tole ZAM (T)

Designs other than those listed above can be manufactured to meet special requirements.

HORIZONTAL TEE

Example of catalog numbering system

CT	T	15	10	M	H
Cable Tray Cover	Horizontal Tee	150mm width	10mm height	1.5mm	Hot dip galvanized



STANDARD DIMENSIONS

Example Radius R=300 mm

Width	W (mm)	100	150	200	300	450	600	750
Length	L (mm)	900	950	1000	1100	1250	1400	1550
Breadth	B (mm)	500	550	600	700	850	1000	1150

For other dimensions please contact us.

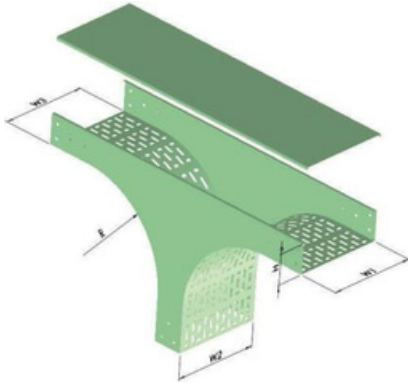
(R = 100mm, 200mm, 600mm, 900mm also available)

Cable Tray/ Trunking Covers

VERTICAL TEE

Example of catalog numbering system

CT	VT	15	10	M	H
Cable Tray Cover	Vertical Tee Cover	150mm width	10mm height	1.5mm	Hot dip galvanized



Example Radius R=300 mm

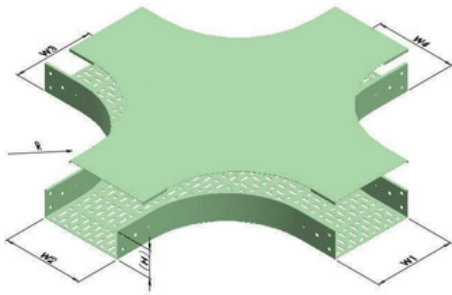
Width	W1 (mm)	100	150	200	300	450	600	750
	W2 (mm)	100	150	200	300	450	600	750
	W3 (mm)	100	150	200	300	450	600	750
Height	H (mm)	100	100	100	100	100	100	100

For other dimensions please contact us.
(R = 100mm, 200mm, 600mm, 900mm also available)

HORIZONTAL CROSS

Example of catalog numbering system

CT	C	15	10	M	H
Cable Tray Cover	Horizontal Cross	150mm width	10mm height	1.5mm	Hot dip galvanized



STANDARD DIMENSIONS

Example Radius R=300 mm

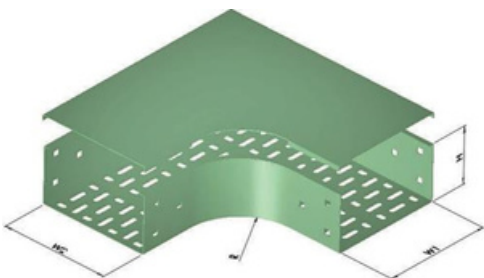
Width	W1 (mm)	100	150	200	300	450	600	750
	W2 (mm)	100	150	200	300	450	600	750
	W3 (mm)	100	150	200	300	450	600	750
	W4 (mm)	100	150	200	300	450	600	750
Height	H (mm)	100	100	100	100	100	100	100

For other dimensions please contact us.
(R = 100mm, 200mm, 600mm, 900mm also available)

HORIZONTAL ELBOW

Example of catalog numbering system

CT	E	15	10	M	H
Cable Tray Cover	Horizontal Elbow	150mm width	10mm height	1.5mm	Hot dip galvanized



STANDARD DIMENSIONS Example Radius
R=300 mm Bend Angle 90° (30°, 45° & 60° also available)

Width	W1 (mm)	100	150	200	300	450	600	750
	W2 (mm)	100	150	200	300	450	600	750
Height	H (mm)	100	100	100	100	100	100	100

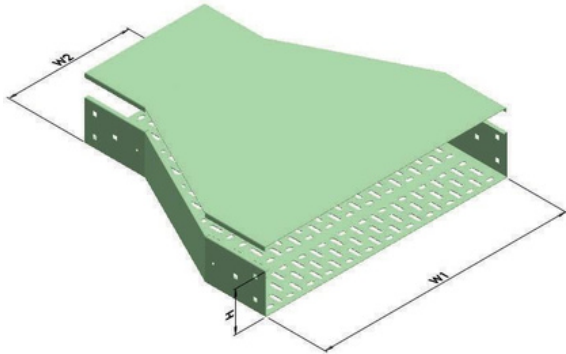
For other dimensions please contact us.
(R = 100mm, 200mm, 600mm, 900mm also available)

Cable Tray/ Trunking Covers

REDUCER

Example of catalog numbering system

CT	R	15	10	10	M	H
Cable Tray Cover	Reducer	150mm starting width	100mm ending width	10mm height	1.5mm	Hot dip galvanized



STANDARD DIMENSIONS

Example Radius R=300 mm

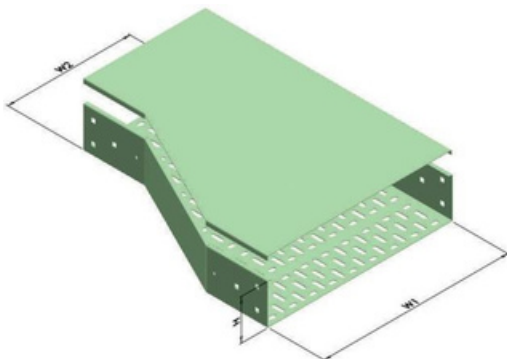
Width	W1 (mm)	200	300
	W2 (mm)	100	200
Height	H (mm)	100	100

For other dimensions please contact us.
(R = 100mm, 200mm, 600mm, 900mm also available)

RIGHT HAND REDUCER

Example of catalog numbering system

CT	RR	15	10	10	M	H
Cable Tray Cover	Right Hand Reducer Cover	150mm starting width	100mm ending width	10mm height	1.5mm	Hot dip galvanized



STANDARD DIMENSIONS

Example Radius R=300 mm

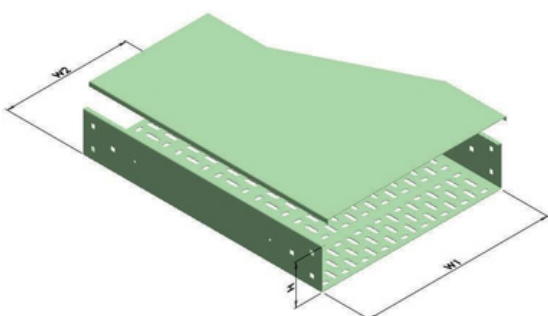
Width	W1 (mm)	200	300
	W2 (mm)	100	200
Height	H (mm)	100	100

For other dimensions please contact us.
(R = 100mm, 200mm, 600mm, 900mm also available)

LEFT HAND REDUCER

Example of catalog numbering system

CT	LR	15	10	10	M	H
Cable Tray Cover	Left Hand Reducer Cover	150mm starting width	100mm ending width	10mm height	1.5mm	Hot dip galvanized



STANDARD DIMENSIONS

Example Radius R=300 mm

Width	W1 (mm)	200	300
	W2 (mm)	100	200
Height	H (mm)	100	100

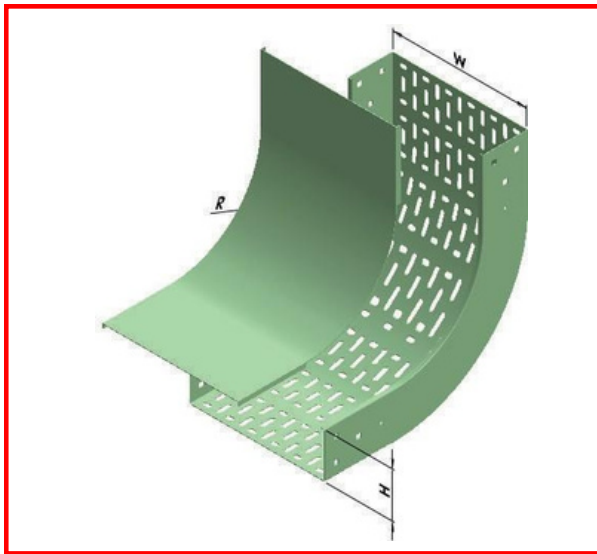
For other dimensions please contact us.
(R = 100mm, 200mm, 600mm, 900mm also available)

Cable Tray/ Trunking Covers

INSIDE VERTICAL RISERS

Example of catalog numbering system

CT	IR	10	10	M	H
Cable Tray Cover	Inside Vertical Riser Cover	100mm starting width	10mm height	1.5mm	Hot dip galvanized



STANDARD DIMENSIONS Bend

Angle 90°

For other dimensions please contact us.

With (W)	W (mm)	100	200
Height (H)	H (mm)	100	100

Finish (after fabrication) | Hot dip galvanized **(H)**

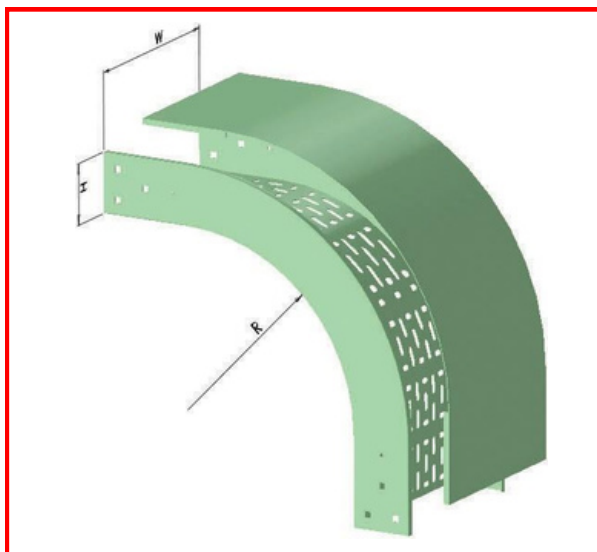
For other dimensions please contact us.

(R = 100mm, 200mm, 600mm, 900mm also available)

OUTSIDE VERTICAL RISERS

Example of catalog numbering system

CT	OR	10	10	M	H
Cable Tray Cover	Outside Vertical Riser Cover	100mm starting width	10mm height	1.5mm	Hot dip galvanized



STANDARD DIMENSIONS

Bend Angle 90°

For other dimensions please contact us.

With (W)	W (mm)	100	200
Height (H)	H (mm)	100	100

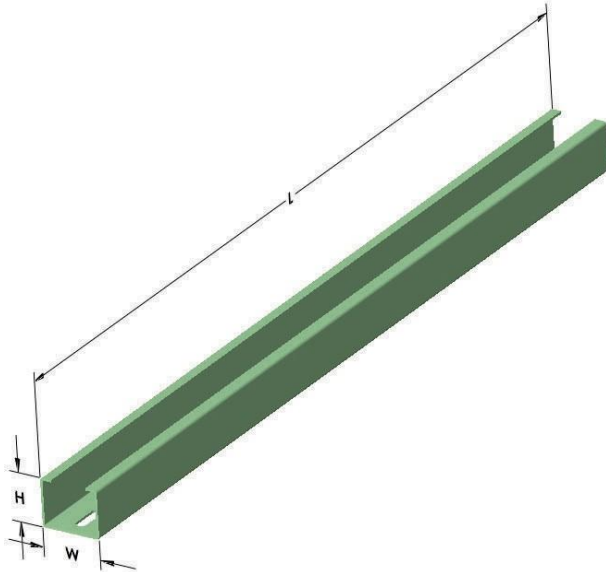
Finish (after fabrication) | Hot dip galvanized **(H)**

For other dimensions please contact us.

(R = 100mm, 200mm, 600mm, 900mm also available)

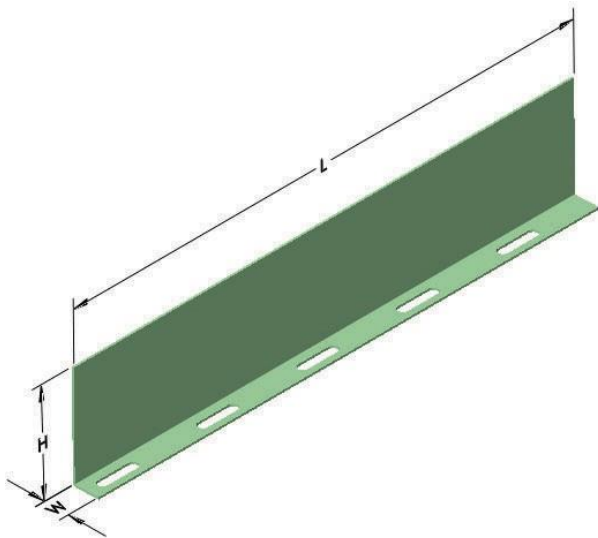
Accessories

Channels are available in solid bottom and slotted type.



Length (L)	200mm to 3000mm
Height (H)	41mm & 21mm
Width (W)	52mm & 41mm
Sheet Metal Thickness	1.5mm to 2.5mm
	Prime quality GI & MS sheets
	Electro powder coating Pre-galvanised Hot dip galvanized Tole ZAM

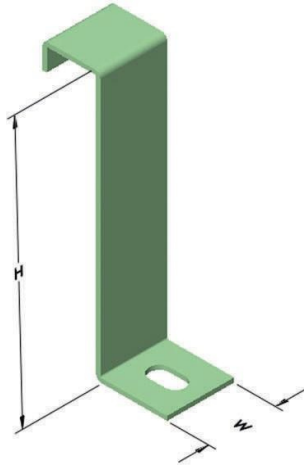
Designs other than those listed above can be manufactured to meet special requirements.



Length (L)	2440mm, 2500mm & 3000mm
Height (H)	50mm to 200mm
Width (W)	30mm
Sheet Metal Thickness	1.2mm for light loads (L) 1.5mm for medium loads (M) 2.0mm for heavy loads (H)
	Electro powder coating Pre-galvanised Hot dip galvanized Tole ZAM

Designs other than those listed above can be manufactured to meet special requirements.

HOLD-DOWN CLAMP



STANDARD DIMENSIONS

Height (H)	85mm to 200mm
Width (W)	30mm
Sheet Metal Thickness	1.0mm to 3.0mm
Material Finish (after fabrication)	Prime quality GI & MS sheets
	Electro powder coating (E)
	Pre-galvanized (P)
	Hot dip galvanized (H)
	Tole ZAM (T)

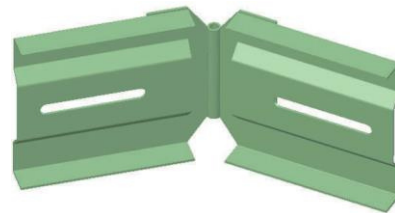
Designs other than those listed above can be manufactured to meet special requirements.

JOINING PLATE

VERTICAL HINGER JOINT

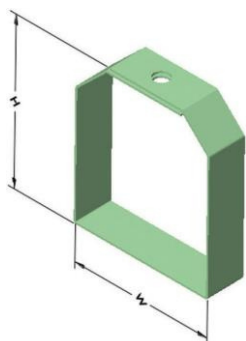


HORIZONTAL HINGED JOINT



HANGER POST

HANGER SUPPORT



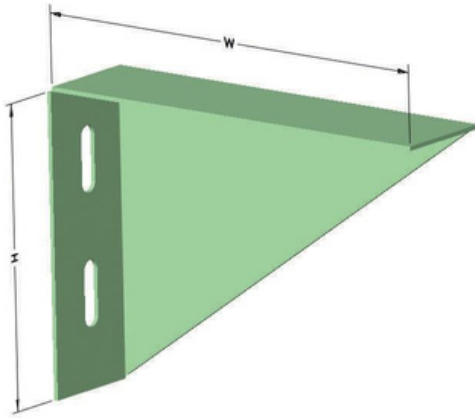
STANDARD DIMENSIONS

With (W)	50mm to 500mm
Sheet metal thickness	1.0mm to 2.0mm
Finish (after fabrication)	Electro powder coating (E)
	Hot dip galvanized (H)
	Tole ZAM (T)

Designs other than those listed above can be manufactured to meet special requirements.

Accessories

BRACKET

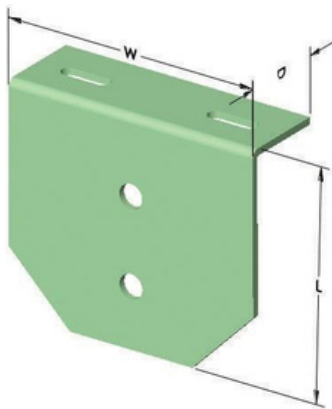


STANDARD DIMENSIONS

With (W)	200mm to 1000mm
Height (H)	140mm, 180mm
Sheet Metal Thickness	2mm to 4mm
Finish (after fabrication)	Electro powder coating (E) Pre-galvanised (P) Hot dip galvanized (H) Tol ZAM (T)

Designs other than those listed above can be manufactured to meet special requirements.

HEAD PLATE

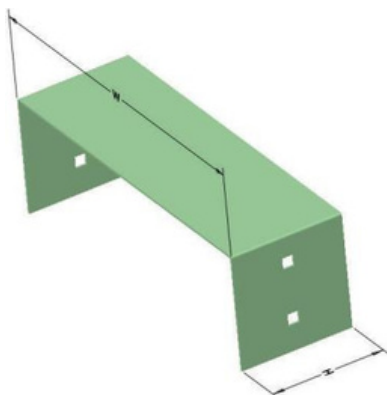


STANDARD DIMENSIONS

Length (L)	130mm
Width (W)	150mm
Sheet Metal Thickness	2mm to 4mm
Finish (after fabrication)	Electro powder coating (E) Hot dip galvanized (H) Tol ZAM (T)

Designs other than those listed above can be manufactured to meet special requirements.

END CAP



STANDARD DIMENSIONS

With (W)	50mm to 900mm
Height (H)	50mm to 200mm
Sheet Metal Thickness	1.2mm to 3mm
The End cap Code	EC1010MH
Finish (after fabrication)	Electro powder coating (E) Pre-galvanised (P) Hot dip galvanized (H) Tol ZAM (T)

Designs other than those listed above can be manufactured to meet special requirements.

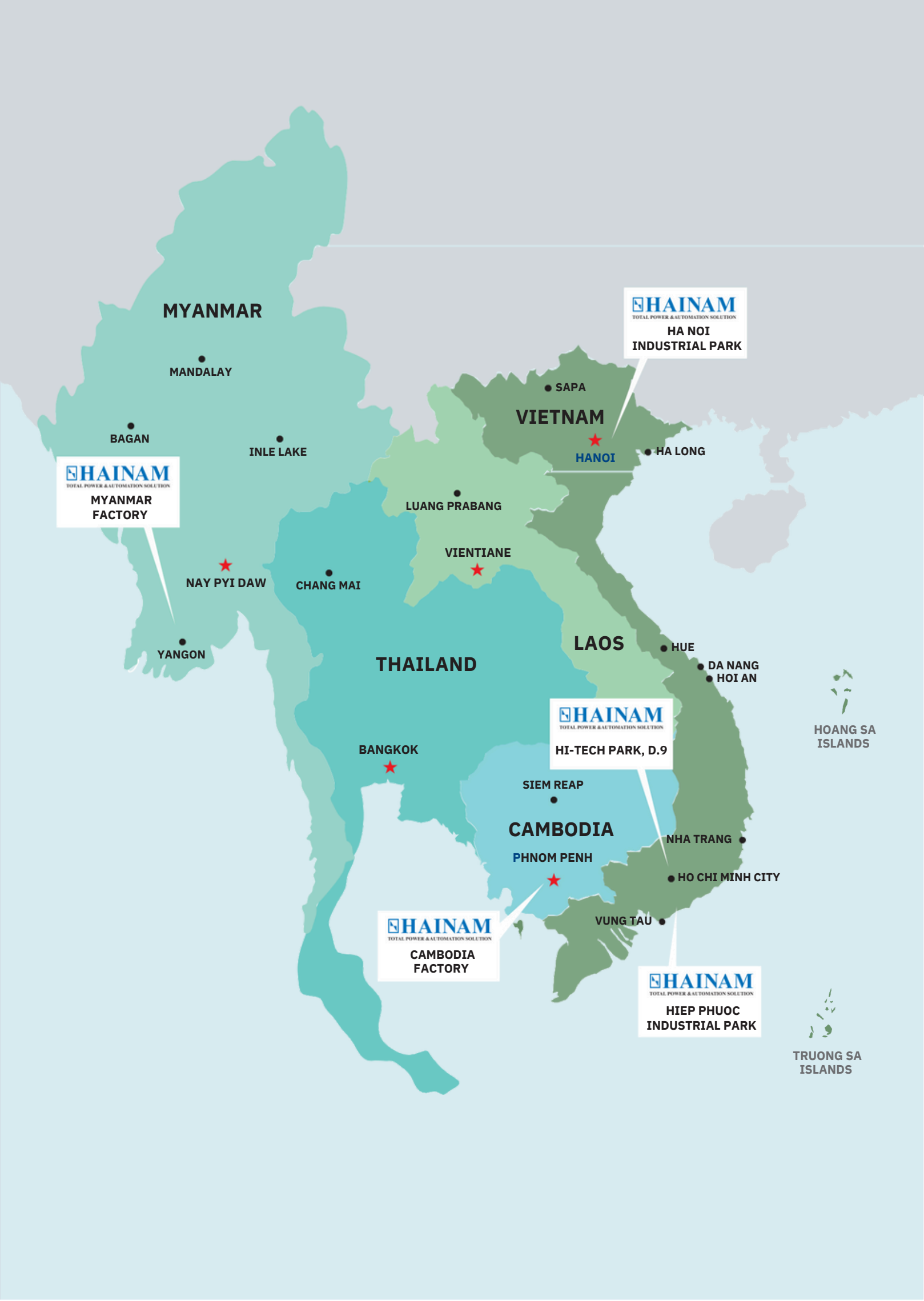
GROUNDING COPPER WIRE



INCLUDES DIMENSIONS

4mm² Tin-Plated Braided Copper Wire

The flexible tin plated copper straps code: EL



MYANMAR

MANDALAY

BAGAN

INLE LAKE

NAY PYI DAW

YANGON

CHANG MAI

LUANG PRABANG

VIENTIANE

LAOS

HUE

DA NANG
HOI AN

HOANG SA
ISLANDS

THAILAND

BANGKOK

SIEM REAP

CAMBODIA

PHNOM PENH

NHA TRANG

HO CHI MINH CITY

VUNG TAU

TRUONG SA
ISLANDS

HAINAM
TOTAL POWER & AUTOMATION SOLUTION

MYANMAR
FACTORY

HAINAM
TOTAL POWER & AUTOMATION SOLUTION

HA NOI
INDUSTRIAL PARK

VIETNAM

SAPA

HANOI

HA LONG

HAINAM
TOTAL POWER & AUTOMATION SOLUTION

HI-TECH PARK, D.9

HAINAM
TOTAL POWER & AUTOMATION SOLUTION

CAMBODIA
FACTORY

HAINAM
TOTAL POWER & AUTOMATION SOLUTION

HIEP PHUOC
INDUSTRIAL PARK

CONTACT US

Hai Nam Automation Technology Joint Stock Company

VIET NAM

Ho Chi Minh

Factory 1: Lot I-10-6, R. No. 7, Hi-Tech Park, D.9, HCMC., Viet nam
Tel.: (+84) 28 7109 9904 / Fax: (+84) 28 7109 9905

Factory 2: Lot No. C 32, R. No. 9, Hiep Phuoc IP., HCMC., Viet nam
Tel.: (+84) 28 3873 4066 / Fax: (+84) 28 3873 4067

Ha Noi

Lot No. 45, Quang Minh IP., Me Linh, Ha Noi
Tel.: (+84) 24 38 133 011 / Fax: (+84) 24 38 133 010

CAMBODIA

Street #30m (National Road #3), PreyKeyKor Village, PongToek Commune,
DangKor Dist., Phnom Penh City, Kingdom of Cambodia
Tel.: (+855) 81 200 572 / Tel.: (+855) 81 200 578 / Fax: (+855) 23 982 162

MYANMAR

Ka Naung Min Thar Gyi Street, Plot No.(56) Thilawa Local
Industrial Zone, Kyauk Tan Township, Yangon, Myanmar
Tel.: (+95) 925 324 7697 (Myanmar)
(+84) 948 676 068 (Viet Nam)

hainam-panel@hainamswitchboards.com
www.hainamswitchboards.com

